

Trion User Manual

The Game Face Trion is designed specifically for use in competitive blaster sports. It fires half-length darts at three different velocity settings—up to 130, up to 160, or up to 200 feet-per-second—depending on how many of the included spring spacers you insert. These different speed levels make the Game Face Trion legal for use in Stock, Super Stock, and Ultra Stock competitions.

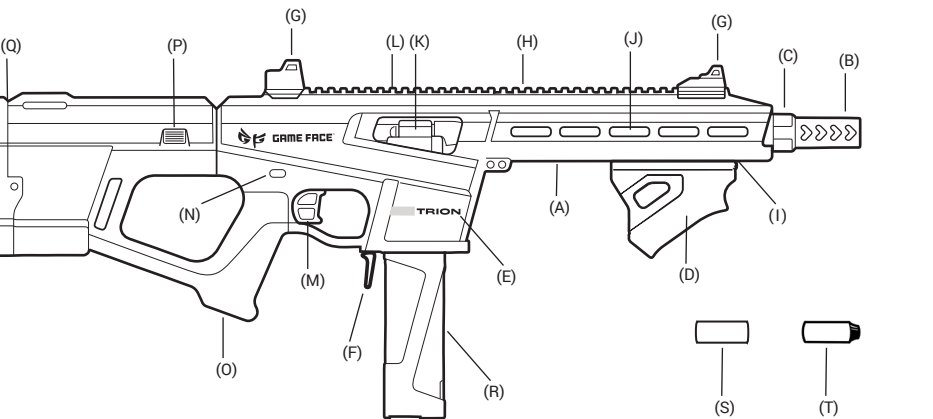
Using the Trion

Only use Pro Darts with the Game Face Trion. Be sure to read and follow all instructions carefully before using this product.

⚠ WARNING: DO NOT AIM THE Trion AT EYES OR FACE AT ANY TIME WHILE HANDLING THE BLASTER.

Components and Parts

A. Trion blaster body	H. Upper Picatinny rail	O. Integrated stock & grip
B. Muzzle	I. Lower Picatinny rail	P. Stock release button
C. Muzzle brake	J. M-LOK system	Q. Spring retainer
D. Priming grip	K. Action access window	R. Magazine
E. Magazine well	L. Priming lock	S. 2 Speed spacers (included in box)
F. Magazine release lever	M. Trigger	T. 15 half-length darts
G. Forward and rear sights	N. Safety	



Blaster Assembly

To complete assembly of the Game Face Trion, screw the included muzzle brake into threaded muzzle until it clicks into place.

Engaging and Disengaging the Safety

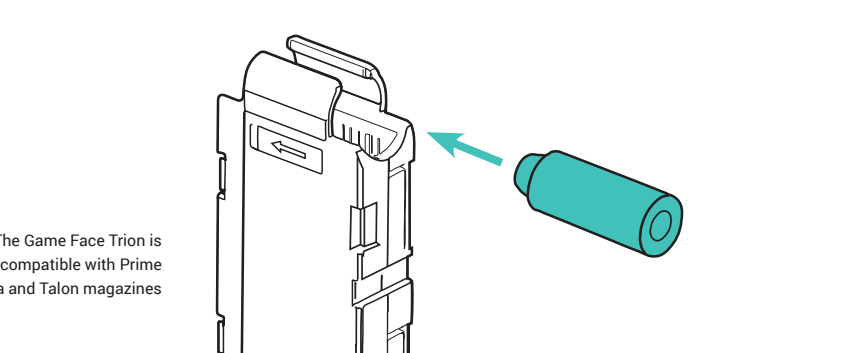
1. To engage the safety, push it in from the left side of the blaster body (marked "S" for safe) until you hear a click.
2. To disengage the safety, push it in from the right side of the blaster (marked "F" for fire) until you hear a click.

CAUTION: Even unloaded and/or with the safety engaged, you should treat the Trion as if it were loaded and ready to fire. Never point the Trion at anything you do not intend to shoot.

Loading

To load a magazine into the Trion:

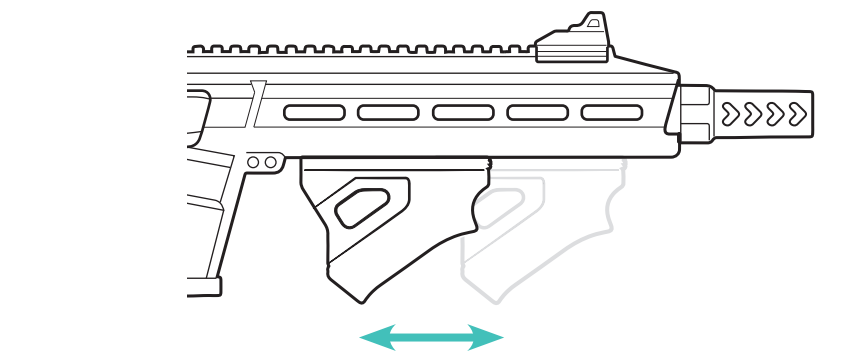
1. Engage the safety and aim the Trion in a safe direction.
2. Load the magazine with up to 15 half-length darts (included). The tips of the darts should point in the same direction as the arrow molded on the side of the magazine.
3. Orient the magazine so the arrow points in the same direction as the muzzle of the blaster. The clear side of the magazine should be on your left.
4. Firmly push the magazine into the magazine well until it is fully seated.



The Game Face Trion is also compatible with Prime Katana and Talon magazines

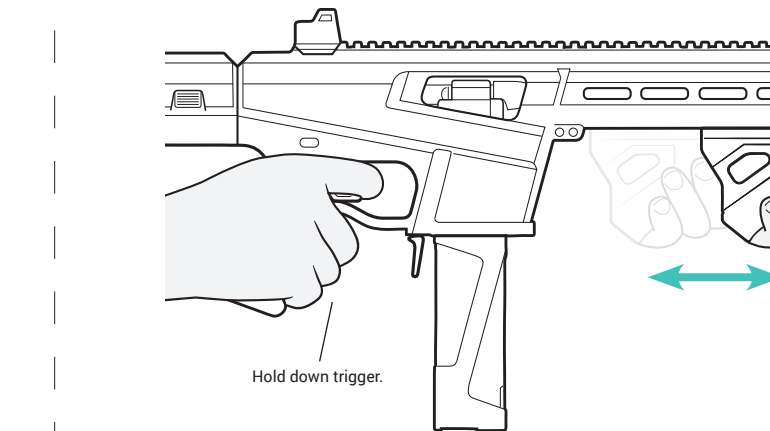
Firing

1. Chamber a half-length dart by pulling the priming grip all the way back and then pushing it fully forward until it locks into place. The Trion will then be primed and the priming grip will be locked in place until the Trion is fired.
2. With the safety disengaged and the Trion pointed in the direction you intend to fire, pull the trigger.



Slam Firing

The Trion is built for competition, and competition is quick. To fire multiple rounds at speed, hold down the trigger while pumping the priming grip back and forward. Each time the priming grip is cycled a round will fire.

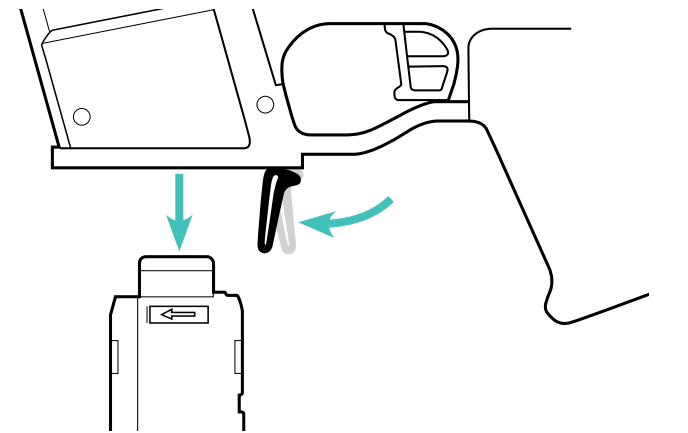


**IT'S A
SERIOUS
BLAST!**

GAMEFACEBLASTERS.COM

Ejecting the Magazine

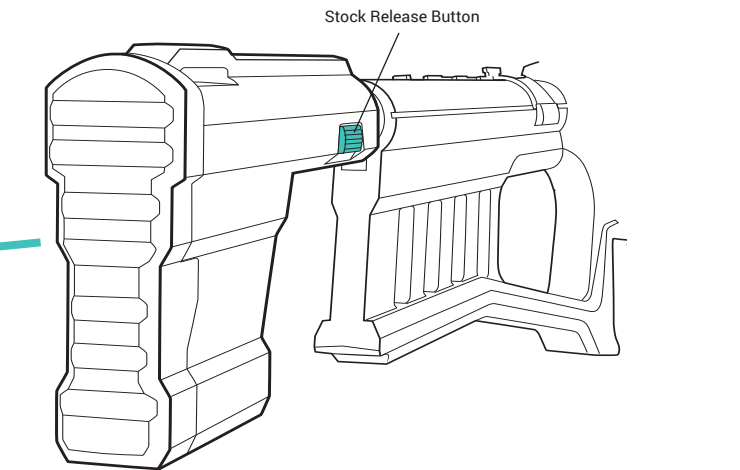
1. Engage the safety.
2. Pull the magazine down and out while squeezing the magazine release lever.



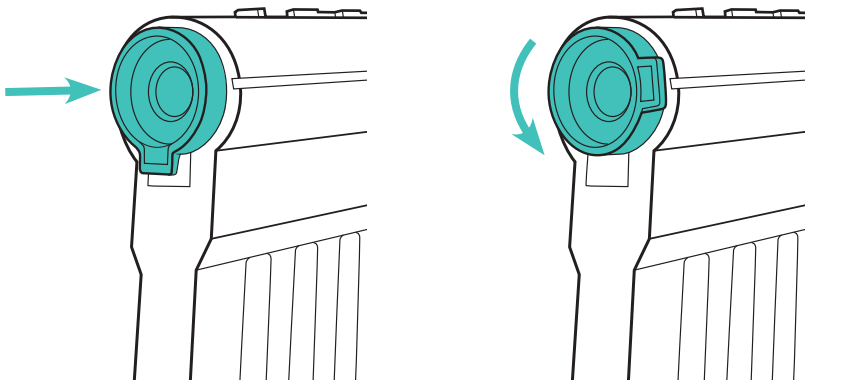
Changing Velocity Settings

You can change the velocity of your Game Face Trion quickly, without tools. To do so:

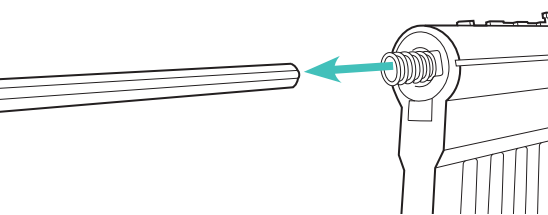
1. Confirm the Trion is NOT primed and ready to fire by pointing it in a safe direction and pulling the trigger.
2. Depress the stock release button and slide the stock off the blaster to reveal the spring retainer.



3. Using the palm of your hand, push the spring retainer in and twist it about 90° counterclockwise until it releases.

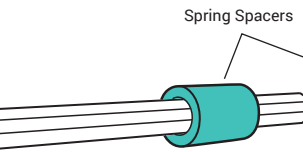


4. Pull the spring retainer out of the blaster.

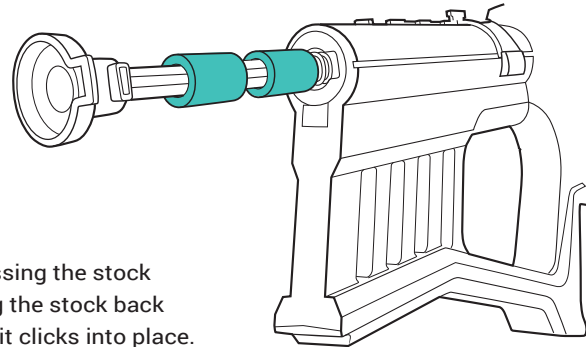


5. Slide one or more spring spacers on or off the spring retainer to change the projectile velocity of the Trion. The spring spacers work as follows:

0 spacers = up to 130 fps
1 spacer = up to 160 fps
2 spacers = up to 200 fps



6. Re-insert the spring retainer into the blaster, pushing it in with the palm of your hand and twisting it about 90° clockwise to lock it into place.



7. Replace the stock by pressing the stock release button and sliding the stock back onto the buffer tube until it clicks into place.

⚠ WARNING: DO NOT FIRE THE TRION WITHOUT THE STOCK IN PLACE. THE SPRING RETAINER MAY COME LOOSE AND CAUSE INJURY OR DAMAGE.

In Case of a Jam

CAUTION: Never look down the barrel of a blaster.

In the unlikely event the Trion jams, clear the dart(s) by first engaging the safety, removing the magazine and pointing the blaster in a safe direction. Then, reach in through the action access window to clear the jam from the barrel or the action using your finger.

Pulling the trigger may also clear jammed half-length darts from the barrel.

Experiencing issues or having difficulty?

DO NOT RETURN THIS PRODUCT TO THE STORE.

Our friendly customer service representatives will be glad to help you. If you have any issues or questions, please contact Game Face directly at 833.675.0765 or support@gamefaceblasters.com for immediate assistance from one of our trained technicians.

Game Face
7629 Routes 5 & 20
Bloomfield, NY 14469
833.675.0765



**TRION™
COMPETITION
BLASTER**